

Neo Shower Combination

MODEL:

- VSR-233010: 2.5 GPM (9.5 L/min) flow rate

FEATURES:

- VS-118 2-way diverter
- 5' metal hose
- 2.5 gpm (9.5 L/min) flow rate
- Patented Anystream® plungers resist scale build-up
- Plastic body construction
- Hand held: 1/2" -14 NPS male inlet
- Shower head: 1/2" -14 NPTF female inlet
- Spray adjusting faceplate with infinite settings
- 5 plungers with 45 sprays, 12 massage jets, 3 spray patterns
- Customer will need to install a backflow prevention device for plumbing code compliance

STOCK FINISHES:



PC

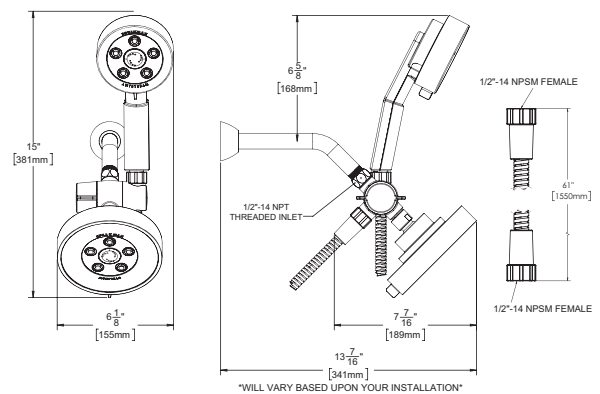
STANDARDS:

- ASME A112.18.1/CSA B125.1 certified

WARRANTY:

Visit www.speakman.com for full product warranty information

- Limited Lifetime Warranty (consumer)
- 1 Year Limited Warranty (commercial)



All dimensions are in inches (millimeters) unless otherwise specified and are subject to change without notice.

Architect/Engineer Approval Space:

P: 800-537-2107
 F: 800-977-2747
 W: WWW.SPEAKMAN.COM
 R: 01-JUNE 2021